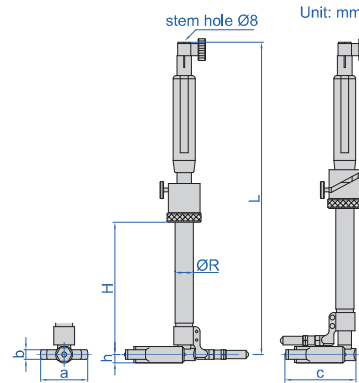
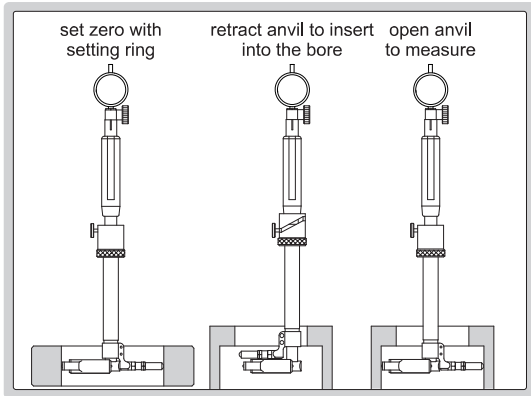


MEASURING DEPTH CAN BE CUSTOMIZED (200, 400, 700MM)



- With rotary anvil, applicable to measure bores with large inner diameter and small opening
- Optional accessory:
 - Dial indicator or dial comparator
 - Setting ring (code 6312)

ROTARY BORE GAUGES

INSIZE PLUS



digital indicator is optional

2921-150

(mm)

Code	Range	Accuracy (without dial indicator)	Repeatability**	H	a	b	c	h	ØR	L
2921-52*	30-52mm	2µm	1µm	60	-	-	21	4	12	194
2921-70*	50-70mm	2µm	1µm	60	19.5	6	35	5.25	12	201
2921-100*	60-100mm	2µm	1µm	109	29.5	8	45	7	15	264
2921-150*	80-150mm	2µm	1µm	109	39	8	57	7	15	264
2921-220*	120-220mm	2µm	1µm	109	63	10	81	8	15	265
2921-360*	180-360mm	3µm	1.5µm	148	100	10	144	11	23	343
2921-530*	290-530mm	3µm	1.5µm	170	153	10	212	15	30	409

*Supplied with manufacturer inspection certificate

** Repeatability includes the error before and after the anvil rotation.